

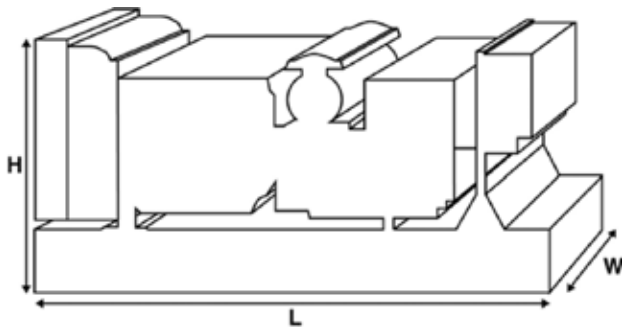
P2250-3

Output Ratings

Voltage, Frequency	Prime	Standby
kVA	2000	2250
kW	1600	1800
kVA		
kW		

Ratings at 0.8 power factor.

Please refer to the output ratings technical data section for specific generator set outputs per voltage.



Dimensions and Weights

Length	mm	5839 (229.9)
Width	mm	2196 (86.5)
Height	mm	2605 (102.6)
Weight (Dry)	kg	12215 (26929)
Weight (Wet)	kg	12528 (27619)

Ratings in accordance with ISO 8528, ISO 3046, IEC 60034, BS5000 and NEMA MG-1.22.

Generator set pictured may include optional accessories.

Prime Rating

These ratings are applicable for supplying continuous electrical power (at variable load) in lieu of commercially purchased power. There is no limitation to the annual hours of operation and this model can supply 10% overload power for 1 hour in 12 hours.

Standby Rating

These ratings are applicable for supplying continuous electrical power (at variable load) in the event of a utility power failure. No overload is permitted on these ratings. The alternator on this model is peak continuous rated (as defined in ISO 8528-3).

Standard Reference Conditions

Note: Standard reference conditions 25 °C (77 °F) Air Inlet Temp, 100m (328 ft) A.S.L. 30% relative humidity.

Fuel consumption data at full load with diesel fuel with specific gravity of 0.85 and conforming to BS2869: 1998, Class A2.

PEGC Power Solutions offer a range of optional features to allow you to tailor our generator sets to meet your power needs. Options available include:

- Upgrade to CE Certification
- A wide range of Sound Attenuated Enclosures
- A variety of generator set control and synchronising panels
- Additional alarms and shutdowns
- A selection of exhaust silencer noise levels

For further information on all of the standard and optional features accompanying this product please contact your local Dealer or visit:

www.pegcpowersolutions.com

P2250-3



Ratings and Performance Data

Engine Make	Perkins	
Engine Model:	4016-61TRG2	
Alternator Make		
Alternator Model:	9324H	
Control Panel:	E7410	
Base Frame:	Heavy Duty Fabricated Steel	
Circuit Breaker Type:	Options Available	
Frequency:	50 HZ	60 HZ
Engine Speed: RPM	rpm	1500
Fuel Tank Capacity:	litres (US gal)	N/A (N/A)
Fuel Consumption Prime	litres (US gal)/hr	418.1 (110.5)
Fuel Consumption Standby	litres (US gal)/hr	470.8 (124.4)

Engine Technical Data

No. of Cylinders	16	
Alignment	60deg Vee	
Cycle	4 STROKE	
Bore	mm (in)	160 (6.3)
Stroke	mm (in)	190 (7.5)
Induction	TURBOCHARGED AIR TO WATER CHARGE COOLED	
Cooling Method	WATER	
Governing Type	ELECTRONIC	
Governing Class	ISO 8528	
Compression Ratio	13.0:1	
Displacement	L (cu. in)	61.1 (3730)
Moment of Inertia:	kg m ² (lb/in ²)	20.72 (70803)
Voltage	24	
Ground	Negative	
Battery Charger Amps	55	
Engine Weight Dry	kg (lb)	5570 (12280)
Engine Weight Wet	kg (lb)	5847 (12890)

Engine Performance Data		50 Hz	60 Hz
Engine Speed	rpm	1500	
Gross Engine Power Prime	kW (hp)	1774 (2379)	
Gross Engine Power Standby	kW (hp)	1985 (2662)	
BMEP Prime	kPa (psi)	2322 (336.8)	
BMEP Standby	kPa (psi)	2598 (376.8)	



Fuel System

Fuel Filter Type:	Replaceable Element			
Recommended Fuel:	Class A2 Diesel			
Fuel Consumption at	110 % Load	100 % Load	75 % Load	50 % Load
50 Hz Prime:	l/hr (US gal/hr)	470.8 (124.4)	418.1 (110.5)	317.7 (83.9)
50 Hz Standby	l/hr (US gal/hr)	-	470.8 (124.4)	354.6 (93.7)
60 Hz Prime	l/hr (US gal/hr)			
60 Hz Standby	l/hr (US gal/hr)	-		

(Based on diesel fuel with a specific gravity of 0.86 and conforming to BS2869 classA2,EN590)

Air System

	50 Hz	60 Hz
Air Filter Type:	Replaceable Element	
Combustion Air Flow Prime	m ³ /min (cfm)	158 (5580)
Combustion Air Flow Standby	m ³ /min (cfm)	175 (6180)
Max. Combustion Air Intake Restriction	kPa	3.7 (14.9)

Cooling System

	50 Hz	60 Hz
Cooling System Capacity	l (US gal)	315 (83.2)
Water Pump Type:	Centrifugal	
Heat Rejected to Water & Lube Oil: Prime	kW (Btu/min)	670 (38102)
Heat Rejected to Water & Lube Oil: Standby	kW (Btu/min)	750 (42652)
Heat Radiation to Room*: Prime	kW (Btu/min)	207.1 (11778)
Heat Radiation to Room*: Standby	kW (Btu/min)	225.8 (12841)
Radiator Fan Load:	kW (hp)	78 (104.6)
Radiator Cooling Airflow:	m ³ /min (cfm)	2081.4 (73504)
External Restriction to Cooling Airflow:	Pa (in H ₂ O)	250 (1)

*: Heat radiated from engine and alternator
 Designed to operate in ambient conditions up to 50°C (122°F).
 Contact your local PEGC Power Solutions Dealer for power ratings at specific site conditions.

Lubrication System

Oil Filter Type:	Spin-On, Full Flow	
Total Oil Capacity:	l (US gal)	238 (62.9)
Oil Pan Capacity:	l (US gal)	213 (56.3)
Oil Type:	API CG 15W-40 CH4	
Oil Cooling Method:	WATER	

Exhaust System

	50 Hz	60 Hz
Maximum Allowable Back Pressure:	kPa (in Hg)	4 (1.2)
Exhaust Gas Flow: Prime	m ³ /min (cfm)	475 (16774)
Exhaust Gas Flow: Standby	m ³ /min (cfm)	475 (16774)
Exhaust Gas Temperature: Prime	°C (°F)	457 (855)
Exhaust Gas Temperature: Standby	°C (°F)	489 (912)



Alternator Physical Data

No. of Bearings:	1
Insulation Class:	H
Winding Pitch:	2/3
Winding Code	6S
Wires:	6
Ingress Protection Rating:	IP23
Excitation System:	AREP
AVR Model:	D510/D550

* dependant on voltage code selected

Alternator Operating Data

Overspeed: rpm	2250
Voltage Regulation: (Steady state) %	+/- 0.5
Wave Form NEMA = TIF:	50
Wave Form IEC = THF: %	2
Total Harmonic content LL/LN: %	3.5
Radio Interference:	EN61000-6
Radiant Heat: 50 Hz kW (Btu/min)	86.8 (4936)
Radiant Heat: 60 Hz kW (Btu/min)	

Alternator Performance Data 50 Hz:

		415/240 V	400/230 V	380/220 V
Voltage Code				
Motor Starting Capability*	kVA	6816	6351	5754
Short Circuit Capacity**	%	300	300	300
Reactances	Xd	3.17	3.413	3.781
	X'd	0.244	0.263	0.291
	X''d	0.138	0.138	0.152

Alternator Performance Data 60 Hz

		415/240 V	400/230 V	380/220 V
Voltage Code				
Motor Starting Capability*	kVA			
Short Circuit Capacity**	%	300	300	300
Reactances	Xd			
	X'd			
	X''d			

Reactances shown are applicable to prime ratings.

*Based on 30% voltage dip at 0.4 power factor.

** With optional independant excitation system (PMG / AUX winding)

P2250-3



Output Ratings 50 Hz

Voltage Code	Prime		Standby	
	kVA	kW	kVA	kW
415/240V	2000	1600	2250	1800
400/230V	2000	1600	2250	1800
380/220V	2000	1600	2250	1800
230/115V				
220/127V				
220/110V				
200/115V				
240V				
230V				
220V				

Output Ratings 60 Hz

Voltage Code	Prime		Standby	
	kVA	kW	kVA	kW
480/277V				
440/254V				
416/240V				
400/230V				
380/220V				
240/139V				
240/120V				
230/115V				
220/127V				
220/110V				
208/120V				
240/120				
220/110				



P2250-3

Dealer Contact Details

Documentation

Operation and maintenance manual including circuit wiring diagrams.

Generator Set Standards

The equipment meets the following standards: BS5000, ISO 8528, ISO 3046, IEC 60034, NEMA MG-1.22.

Warranty

6.8 - 750 kVA electric power generation products in prime applications the warranty period is 12 months from date of start-up, unlimited hours (8760). For standby applications the warranty period is 24 months from date of start-up, limited to 500 hours per year.

730 - 2500 kVA electric power generation products in prime applications the warranty period is 12 months from date of start-up, unlimited hours (8760 hours) or 24 months from date of start-up, limited to 6000 hours. For standby applications the warranty period is 36 months from date of start-up, limited to 500 hours per year.

PEGC Power Solutions manufactures product in the following locations:

Lahore Karachi Islamabad Multan

With headquarters in Lahore, PEGC Power Solutions operates through a Global Dealer Network. To contact your local Sales Office please visit the PEGC Power Solutions website at www.pegcpowersolutions.com.

PEGC Power Solutions is a trading name of Public Electric Generator Concern (PEGC Power Solutions & Engineering Services (Pvt) Ltd.).

In line with our policy of continuous product development, we reserve the right to change specification without notice.